

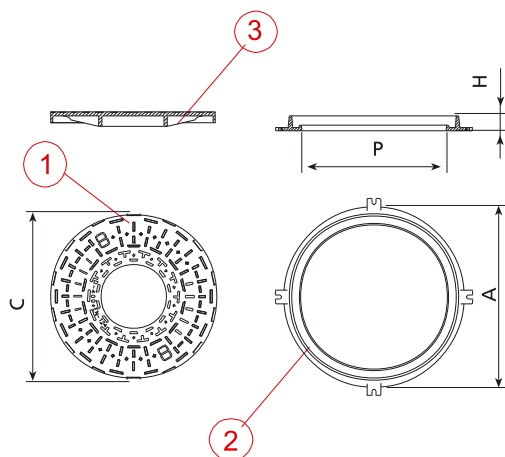
MANHOLE COVER AND FRAME **Round** T2058



DIMENSIONS

| REFERENCE | A x B Ext. frame length | H Depth | ØC Cover length | ØP Clear opening | CHARACTERISTICS | UNITS PER PALETTE |
|--------------|----------------------------|------------|--------------------|---------------------|--------------------|----------------------|
| ROUND T2058B | Ø580 | 50 | Ø525 | Ø460 | Ductile Iron B-125 | 20 |
| ROUND T2058 | Ø580 | 50 | Ø525 | Ø460 | Ductile Iron D-400 | 15 |

CHARACTERISTICS



Made of **ductile iron**. Fulfils the requirements of European standards EN-124.

D-400/ B-125 class. (optional)

Black paint coating.

Slip-proof surface. (1)

Finger grips for easy removal.(3)

Hydraulic frame.(2)